

Harry

LED High Bay

FLEX

Ideal for:



Production



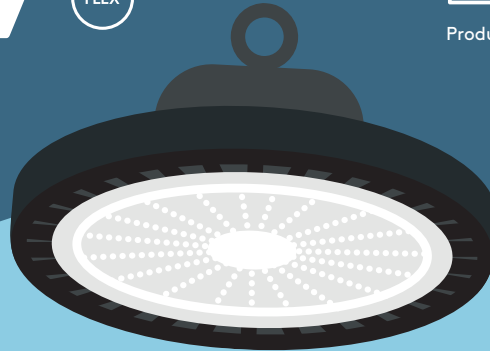
Warehouses



Exhibition
Halls



Retail
Outlets



Powerful yet gentle, highly efficient Harry is the ideal solution for high ceilings and open areas.



Lumen switch
(2 sizes with
switchable
lumen
packages)



IP65:
Dust tight
and water
resistant



50 000 hours
lifetime
before
luminous flux
is reduced to
80% of initial
value



IK08
rated
impact
resistance



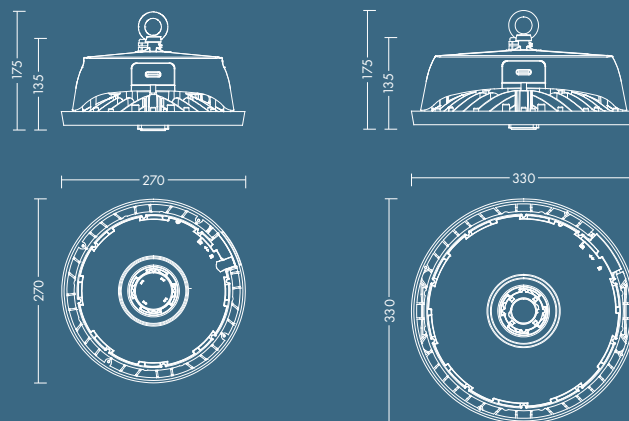
PLUG&PLAY
E2 Kit separately
available

- FLEX Feature (Lumen switch): the flexibility to decide on your lumen package on site makes Harry easy to stock and easy to use
- Excellent efficiency up to 164 lm/W make Harry a great replacement for conventional lighting with energy savings of greater than 50 % versus traditional solutions
- Save time and money with hassle free quick connect installation
- Efficient lens technology offering glare control and beam angle of 85° for homogeneous illumination.
- Housing design allows air flow cooling of the luminaire to ensure optimum performance in industrial environments
- Harry PLUG&PLAY MWS and PIR sensors for detecting presence and daylight make Harry even more efficient
- Ready for Quick and easy conversion of Harry for emergency operation thanks to the PLUG&PLAY E2 kit



| | Ø | H1 | H2 |
|---------------------------|-----|-----|-----|
| HARRY FLEX S 18000 840 FP | 270 | 135 | 175 |
| HARRY FLEX L 30000 840 FP | 330 | 135 | 175 |
| HARRY FLEX S 18000 850 FP | 270 | 135 | 175 |
| HARRY FLEX L 30000 850 FP | 330 | 135 | 175 |

Dimensions (mm)



Specification

| | |
|-------------------------------|---------------------|
| Electrical class | I |
| Ambient operating temperature | -30°C to 45°C |
| IP rating | IP65 |
| IK rating | IK08 (IK03 for PIR) |

Installation / Mounting

| | |
|----------|---|
| Mounting | Single point for suspension or surface mounting (mounting hook supplied with luminaire) Stirrup for wall/ceiling mounting (available as accessory) |
|----------|---|

Material / Finish

| | |
|---------|--------------------------------------|
| Body | Die-cast aluminium, black (RAL 9017) |
| Lens | Polycarbonate |
| Stirrup | Powder coated sheet steel |

Light source information

| | | |
|---------------------|----|---|
| Flex (Lumen Switch) | S: | 18000 lm (110W), 15000 lm (90W), 10000 lm (60W) |
| | L: | 30000 lm (185W), 25000 lm (150W), 20000 lm (120W) |
| Colour temperature | | 4000K, 5000K |
| Efficiency | | up to 164 lm/W |
| Lifetime | | 50 000 hrs @ L80 / Ta 25°C |
| CRI | | >80 |
| MacAdam (Initial) | | 5 |

Ordering guide

| Description | SAP Code |
|-------------------------------------|----------|
| HARRY FLEX S 18000 840 FP | 96652718 |
| HARRY FLEX L 30000 840 FP | 96652719 |
| HARRY FLEX S 18000 850 FP | 96652720 |
| HARRY FLEX L 30000 850 FP | 96652721 |
| Accessories | |
| HARRY FLEX STIRRUP S | 96652722 |
| HARRY FLEX STIRRUP L | 96652723 |
| HARRY FLEX ALU REFLECTOR S | 96652724 |
| HARRY FLEX ALU REFLECTOR L | 96652725 |
| HARRY FLEX PC REFRACTOR S | 96652726 |
| HARRY FLEX PC REFRACTOR L | 96652727 |
| HARRY PLUG&PLAY E2 KIT 5.5W LiFePO4 | 96652968 |

