

George

LED high bay



Meet George

Reliable, efficient and bright, George feels comfortable in high ceilings

- George offers a simple, direct and cost-effective one-for-one replacement of traditional HID high bay luminaires and saves up to 50% energy
- Efficient LEDs (120 lm/W) combined with a lens technology offering a beam angle of 65° to reduce waste light
- With a long 50 000-hour lifetime, George eliminates the need for costly and disruptive lamp replacements
- The housing is carefully designed to allow air through the luminaire. This prevents the components from overheating and ensures optimum performance in industrial environments
- Including connector for easy wiring



12 000 –
30 000 lumens



50 000 hours
lifetime



IK08 rated
impact
resistance



65° beam
angle



IP65: Dust
tight and
water
resistant



Reduced glare
meeting the
standard
of heavy
industry work
regulations

Ideal for...



Retail outlets



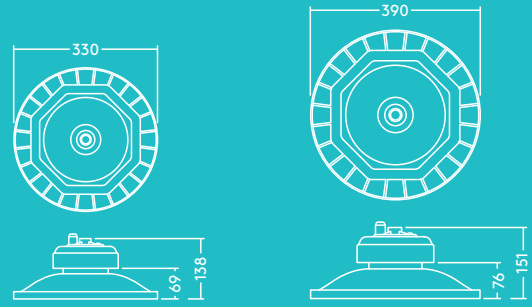
Exhibition Halls



Warehouses

Light source information

- Lifetime 50 000 hours (@L70B50, Ta 25 °C)
- 12 000 lm (100 W), 18 000 lm (150 W), 24 000 lm (200 W), 30 000 lm (250 W), up to 120 lm/W
- Colour temperature: 4000 K
- <25 UGR
- CRI 80
- McAdams (initial): 5 step



Performance guide

12 000 lumens

Mounting height (m)	Target lux level (lx)	Luminaire Qty	Lux level average (E_m)	Uniformity (U_o)	UGR
6	200	4 W, 7 L	215	0.62	<23.5
	300	4 W, 10 L	303	0.68	<23.5

18 000 lumens

Mounting height (m)	Target lux level (lx)	Luminaire Qty	Lux level average (E_m)	Uniformity (U_o)	UGR
8	200	3 W, 6 L	197	0.56	<23.5
	300	4 W, 7 L	300	0.60	<23.5

24 000 lumens

Mounting height (m)	Target lux level (lx)	Luminaire Qty	Lux level average (E_m)	Uniformity (U_o)	UGR
10	200	3 W, 5 L	204	0.53	<23.5
	300	3 W, 8 L	327	0.55	<23.5

30 000 lumens

Mounting height (m)	Target lux level (lx)	Luminaire Qty	Lux level average (E_m)	Uniformity (U_o)	UGR
12	200	3 W, 5 L	238	0.50	<23.5
	300	3 W, 7 L	337	0.50	<23.5

Installation/Mounting

- Single point suspension (mounting hook supplied with luminaire)
- Stirrup for wall/ceiling mounting (available as accessory)

Material/Finish

Body: Aluminum die-cast, black (RAL9017)
Lens: PC

Specification

- Class I electrical
 - IP65
 - IK08
 - Ambient operating temperature: -30 to +50°C
- www.thorn-eco.com

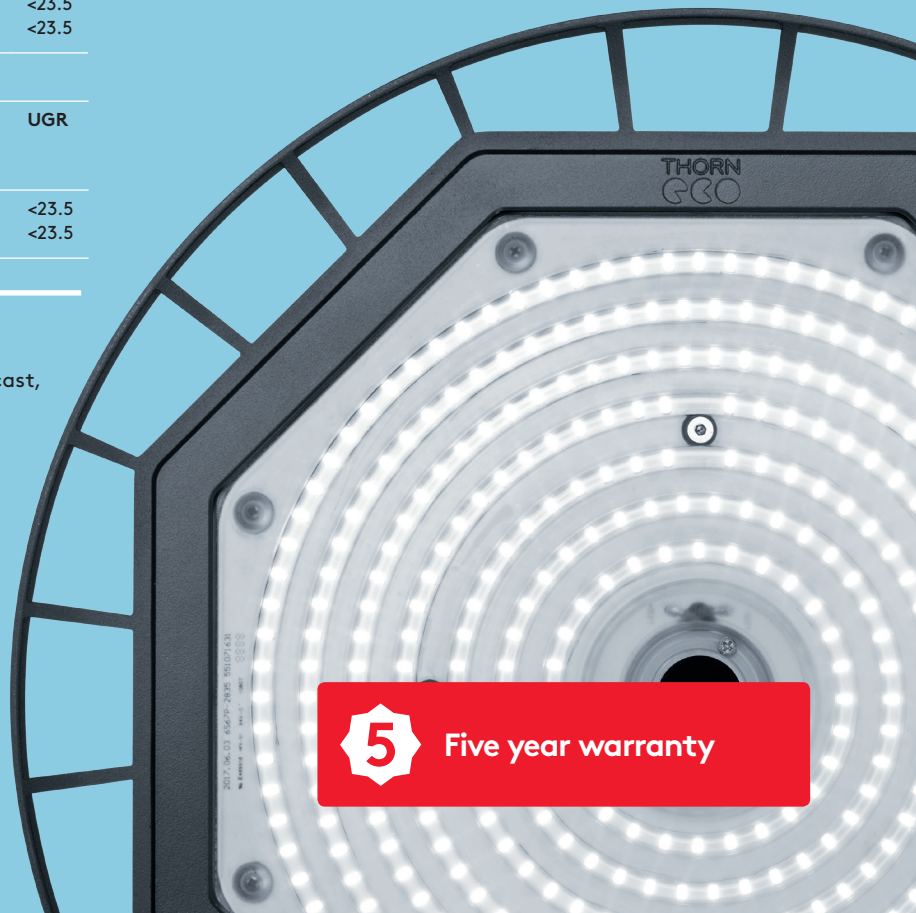
Ordering guide

Description	Wt (kg)	SAP Code	Cat. No.
GEORGE LED 330 12000 840 ¹	3.40	96630323	GO12000Z4K
GEORGE LED 330 18000 840 ²	3.80	96630324	GO18000Z4K
GEORGE LED 390 24000 840 ³	6.00	96630325	GO24000Z4K
GEORGE LED 390 30000 840 ³	6.00	96630326	GO30000Z4K

Mounting brackets

SET OF GEORGE STIRRUP S (6pcs) ¹	0.37x6	96629371	GOSTS
SET OF GEORGE STIRRUP M (6pcs) ²	0.37x6	96629372	GOSTM
SET OF GEORGE STIRRUP L (6pcs) ³	0.47x6	96629373	GOSTL

¹²³The small numbers indicate how to match fittings and mounting brackets.



Five year warranty