

# George

## LED high bay



### Meet George

Reliable, efficient and bright, George feels comfortable in high ceilings

- George offers a simple, direct and cost-effective one-for-one replacement of traditional HID high bay luminaires and saves up to 50% energy
- Efficient LEDs (120 lm/W) combined with a lens technology offering a beam angle of 65° to reduce waste light
- With a long 50 000-hour lifetime, George eliminates the need for costly and disruptive lamp replacements
- The housing is carefully designed to allow air through the luminaire. This prevents the components from overheating and ensures optimum performance in industrial environments
- Including connector for easy wiring



12 000 –  
30 000 lumens



50 000 hours  
lifetime



IK08 rated  
impact  
resistance



65° beam  
angle



IP65: Dust  
tight and  
water  
resistant



Reduced glare  
meeting the  
standard  
of heavy  
industry work  
regulations

#### Ideal for...



Retail outlets



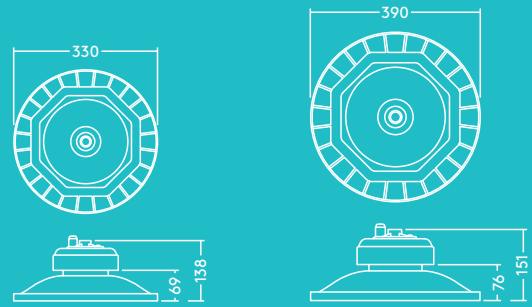
Exhibition Halls



Warehouses

#### Light source information

- Lifetime 50 000 hours (@L70B50, Ta 25 °C)
- 12 000 lm (100 W), 18 000 lm (150 W), 24 000 lm (200 W), 30 000 lm (250 W), up to 120 lm/W
- Colour temperature: 4000 K
- <25 UGR
- CRI 80
- McAdams (initial): 5 step



## Performance guide

### 12 000 lumens - Warehouse

Mounting height (m)	Target lux level (lx)	Luminaire Qty	Lux level average ( $E_m$ )	Uniformity ( $U_o$ )	UGR
6	200	4 W, 7 L	215	0.62	<23.5
	300	4 W, 10 L	303	0.68	<23.5

### 18 000 lumens - Warehouse

Mounting height (m)	Target lux level (lx)	Luminaire Qty	Lux level average ( $E_m$ )	Uniformity ( $U_o$ )	UGR
8	200	3 W, 6 L	197	0.56	<23.5
	300	4 W, 7 L	300	0.60	<23.5

### 24 000 lumens - Warehouse

Mounting height (m)	Target lux level (lx)	Luminaire Qty	Lux level average ( $E_m$ )	Uniformity ( $U_o$ )	UGR
10	200	3 W, 5 L	204	0.53	<23.5
	300	3 W, 8 L	327	0.55	<23.5

### 30 000 lumens - Warehouse

Mounting height (m)	Target lux level (lx)	Luminaire Qty	Lux level average ( $E_m$ )	Uniformity ( $U_o$ )	UGR
12	200	3 W, 5 L	238	0.50	<23.5
	300	3 W, 7 L	337	0.50	<23.5

### Installation/Mounting

- Single point suspension (mounting hook supplied with luminaire)
- Stirrup for wall/ceiling mounting (available as accessory)

### Material/Finish

Body: Aluminum die-cast, black (RAL9017)  
Lens: PC

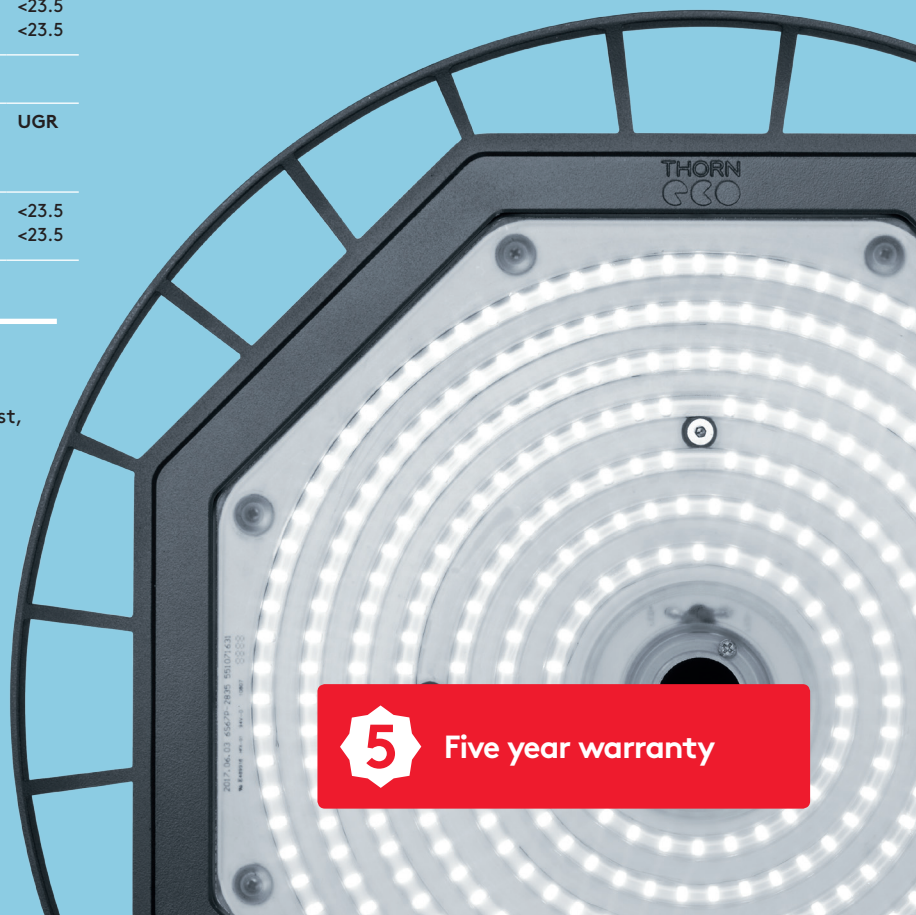
### Specification

- Class I electrical
- IP65
- IK08
- Ambient operating temperature: -30 to +50°C

## Ordering guide

Description	Wt (kg)	Cat. No.
GEORGE LED 330 12000 840 <sup>1</sup>	3.40	GO12000Z4K
GEORGE LED 330 18000 840 <sup>2</sup>	3.80	GO18000Z4K
GEORGE LED 390 24000 840 <sup>3</sup>	6.00	GO24000Z4K
GEORGE LED 390 30000 840 <sup>3</sup>	6.00	GO30000Z4K
Mounting brackets		
SET OF GEORGE STIRRUP S (6pcs) <sup>1</sup>	0.37x6	GOSTS
SET OF GEORGE STIRRUP M (6pcs) <sup>2</sup>	0.37x6	GOSTM
SET OF GEORGE STIRRUP L (6pcs) <sup>3</sup>	0.47x6	GOSTL

<sup>123</sup>The small numbers indicate how to match fittings and mounting brackets.



Five year warranty