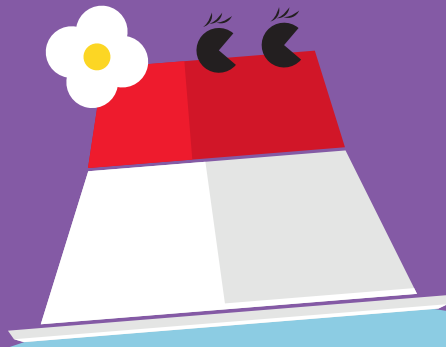


Amy

Recessed LED Downlight



Meet Amy With a pleasing aesthetic; Amy is the ideal solution for a vast range of applications

- Consistent light output with no shadowing
- Replacement for traditional 1×18 W, 1×26 W, 2×18 W or 2×26 W compact fluorescent downlights
- Choice of 3000 K or 4000 K to suit application use
- Thermally optimised, deep drawn, aluminium body
- Easy, quick and tool-free installation thanks to an external connector box with a 4-pole push-terminal enabling loop-in loop-out wiring
- The fully detachable connector allows for first fix wiring and high voltage circuit testing whilst the luminaire is detached from the connector



800–2000
lumens, up
to 95 lm/W



50 000 hours
lifetime



Save up to
80% energy
compared
to compact
fluorescent
downlights



105, 150 and
200 mm
cut-outs



3hr emergency
version
available

Ideal for...



Corridors



Reception areas



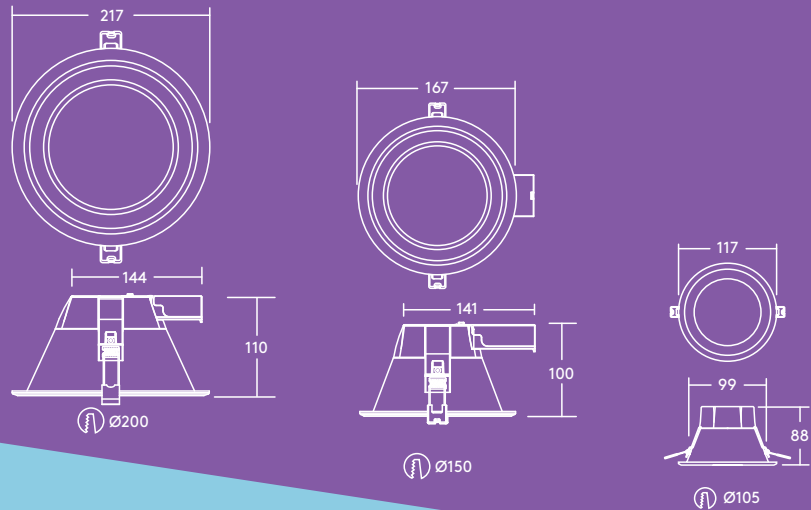
Offices and meeting rooms



Schools and universities

Light source information

- Lifetime 50 000 hours (@L70B50, Ta 25 °C)
- 800 lm (9 W), 1000 lm (12 W), 1500 lm (16 W), 2000 lm (21 W), up to 95 lm/W
- Colour temperatures: 4000 K and 3000 K
- CRI 80
- McAdams (initial): 4 step



Performance guide

1000 lumens – Corridor

Ceiling height (m)	Luminaire Spacings (m)	Lux Level Average (E_m)	Uniformity (U_o)	UGR
2.4	3.6 (5 tiles)	76 lux	0.69	25
	3.0 (4 tiles)	90 lux	0.59	25
	2.4 (3 tiles)	113 lux	0.73	25
2.7	3.6 (5 tiles)	70 lux	0.71	25
	3.0 (4 tiles)	82 lux	0.63	25
	2.4 (3 tiles)	104 lux	0.73	25
3.0	3.6 (5 tiles)	64 lux	0.70	25
	3.0 (4 tiles)	75 lux	0.63	25
	2.4 (3 tiles)	96 lux	0.72	25

2000 lumens – Corridor

Ceiling height (m)	Luminaire Spacings (m)	Lux Level Average (E_m)	Uniformity (U_o)	UGR
2.4	3.6 (5 tiles)	140 lux	0.69	25
	3.0 (4 tiles)	164 lux	0.60	25
	2.4 (3 tiles)	208 lux	0.73	25
2.7	3.6 (5 tiles)	129 lux	0.70	25
	3.0 (4 tiles)	151 lux	0.63	25
	2.4 (3 tiles)	191 lux	0.73	25
3.0	3.6 (5 tiles)	118 lux	0.70	25
	3.0 (4 tiles)	138 lux	0.63	25
	2.4 (3 tiles)	176 lux	0.72	25

Based on a 21x2 metre corridor with 70/50/20 reflectances, a 0.80 maintenance factor and the floor as the working plane

Installation/Mounting

Amy LED can be installed into a wide range of ceiling types of 2–20mm thickness (AMY 150 and 200 LED DL) or 2–15mm thickness (AMY 100 LED DL).

Material/Finish

Body: Aluminum, white finish (RAL 9003)
Diffuser: Polycarbonate

Specification

- Class I electrical
- IP20
- IK02

Ordering guide

Description	Wt (kg)	Cat. No.
AMY 100 LED DL 800 830	0.18	AY800Z3K
AMY 100 LED DL 800 840	0.18	AY800Z4K
AMY 150 LED DL 1000 830	0.26	AY1000Z3K
AMY 150 LED DL 1000 840	0.26	AY1000Z4K
AMY 150 LED DL 1500 830	0.26	AY1500Z3K
AMY 150 LED DL 1500 840	0.26	AY1500Z4K
AMY 200 LED DL 2000 830	0.36	AY2000Z3K
AMY 200 LED DL 2000 840	0.36	AY2000Z4K
Emergency versions		
AMY 150 LED DL 1000 830 E3	0.66	AY1000ZE3K
AMY 150 LED DL 1000 840 E3	0.66	AY1000ZE4K
AMY 150 LED DL 1500 830 E3	0.66	AY1500ZE3K
AMY 150 LED DL 1500 840 E3	0.66	AY1500ZE4K
AMY 200 LED DL 2000 830 E3	0.76	AY2000ZE3K
AMY 200 LED DL 2000 840 E3	0.76	AY2000ZE4K
Lighting Control		
SWITCHLITE SLDM		SLMW30W
SWITCHLITE MRE SLDM ADJ		
SWITCHLITE CC PROGRAMMER		
830–3000K, 840–4000K		



Five year warranty